

# EXPLODED VIEW & PARTS LISTING

## Air Operated Double Diaphragm Pump

Model: DP-80BPT-HD (XDP)

Part No: 854551



### To Purchase:

☎ 800-990-7867

✉ sales@yamadapump.com

📍 Find My Rep

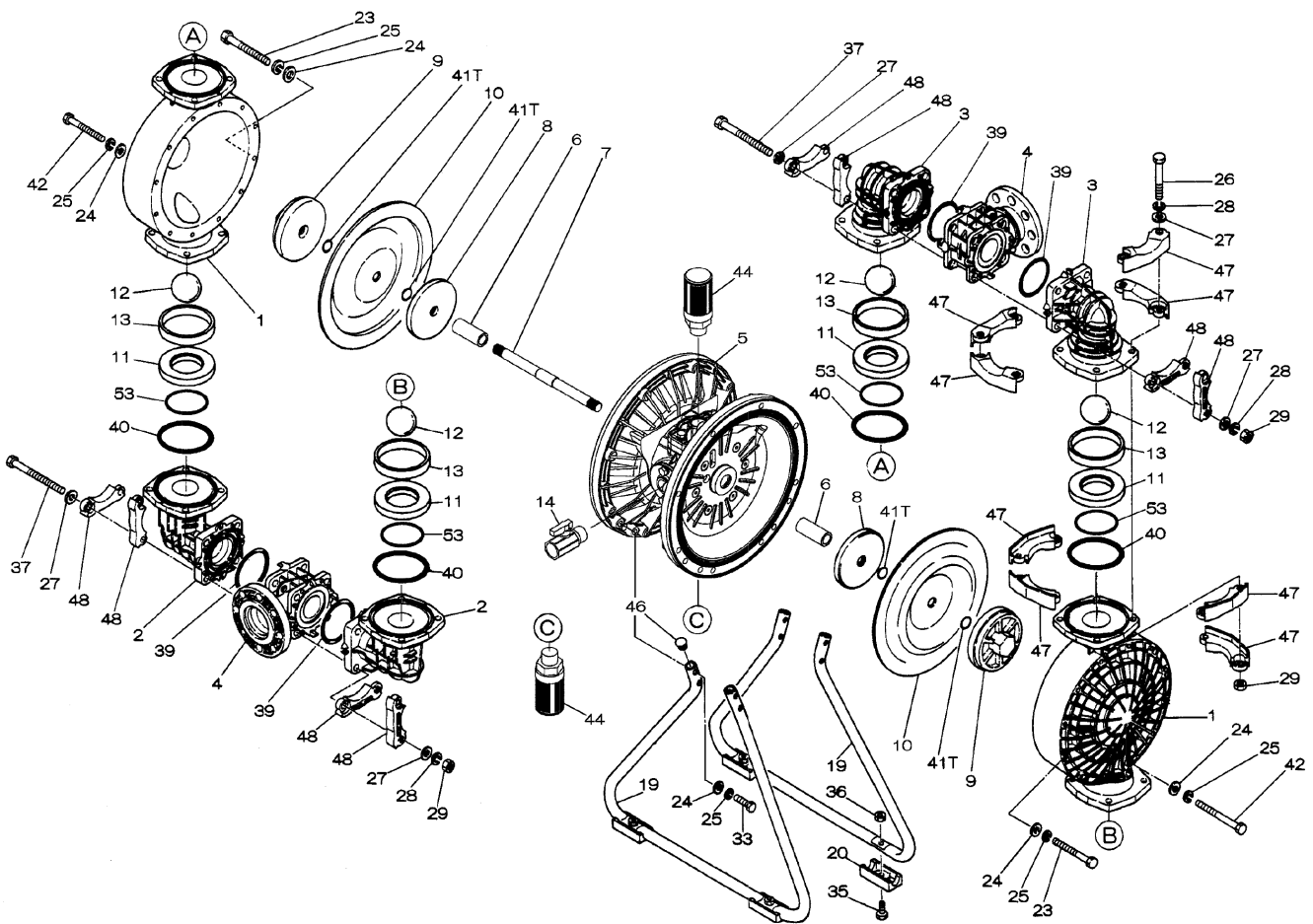
### More Information:

▶ YouTube: @yamadapump

🌐 yamadapump.com

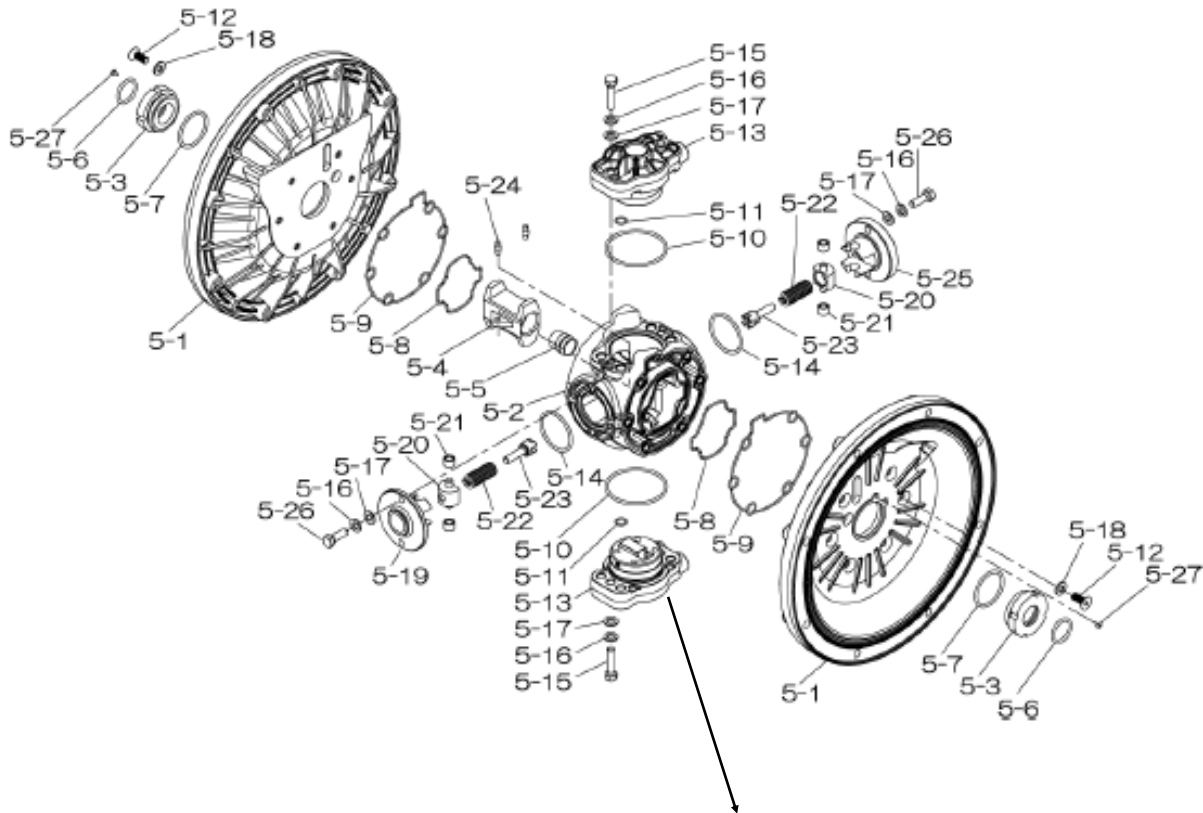
Data Sheets | CAD Drawings | Manuals Literature | BOM | Performance Curves

### Trial Program

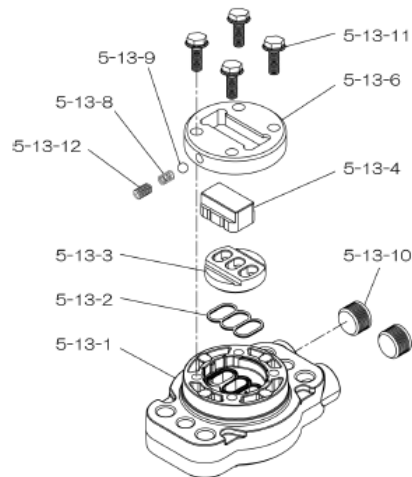


Air Operated Double Diaphragm Pump

804780 Center Body Assembly



804784 Valve Body Assembly

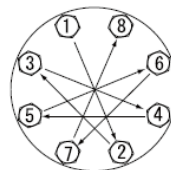


Air Operated Double Diaphragm Pump

REF. No.	PART No.	DESCRIPTION	QTY.	REORDER
1	780149	OUT CHAMBER	2	
2	780246	IN MANIFOLD	2	
3	780152	OUT MANIFOLD	2	
4	780250	CENTER MANIFOLD	2	
5	804780	BODY ASSY	1	
5-1	716248	AIR CHAMBER	2	
5-2	716256	BODY	1	
5-3	773066	THROAT BEARING	2	
5-4	716214	SHUTTLE	1	
5-5	773047	CENTER ROD GUIDE	1	
5-6	640023	O-RING	2	
5-7	640133	O-RING	2	
5-8	773040	GASKET	2	
5-9	773041	GASKET	2	
5-10	640138	O-RING	2	
5-11	640007	O-RING	8	
5-12	683812	FLAT SOCKET	12	
5-13	804784	VALVE BODY ASSY	2	
5-13-1	716244	VALVE BODY	1	
5-13-2	773042	GASKET	2	
5-13-3	716246	SEAT	1	
5-13-4	773425	BLOCK	1	
5-13-6	773426	GUIDE PLATE	1	
5-13-8	706612	SPRING WASHER	1	
5-13-9	686271	BALL	1	
5-13-10	772934	PLUG	2	
5-13-11	602300	TAPPING BOLT	4	
5-13-12	610025	HEX SOCKET HEAD SCREW	1	
5-14	640134	O-RING	2	
5-15	611153	BOLT	4	
5-16	631420	SPRING WASHER	8	
5-17	631013	FLAT WASHER	8	
5-18	684987	WASHER	12	
5-19	716249	RETAINER	1	
5-20	713620	SPRING GUIDE	2	
5-21	773067	BUSH	4	
5-22	684537	SPRING	2	
5-23	714446	TRIP ARM	2	
5-24	700231	PIN	2	
5-25	716216	RETAINER	1	
5-26	611149	BOLT	4	
5-27	686337	TAPPING SCREW	2	

REF. No.	PART No.	DESCRIPTION	QTY.	REORDER
6	716255	CENTER BUSHING	2	
7	716254	CENTER ROD	1	
8	711041	CENTER DISK	2	
9	771730	CENTER DISK	2	
10	770934	DIAPHRAGM	2	
11	772098	VALVE SEAT	4	
12	770694	BALL	4	
13	772099	VALVE GUIDE	4	
14	686974	VALVE	1	
19	711927	STAND	2	
20	771865	RUBBER FOOT	4	
23	683543	BOLT	20	
24	631330	PLAIN WASHER	32	
25	680257	SPRING WASHER	32	
26	621214	BOLT	16	
27	631331	PLAIN WASHER	32	
28	680607	SPRING WASHER	24	
29	628014	NUT	24	
33	621179	BOLT	8	
35	621149	BOLT	4	
36	683837	FLANGED NUT	4	
37	683544	BOLT	8	
39	643070	O RING	4	
40	643078	O RING	4	
41T	643015	O RING	4	
42	683552	BOLT	4	
44	804697	MUFFLER	2	
46	683641	CAP	4	
47	771789	PROTECTOR A	32	
48	771790	PROTECTOR B	16	
53	643145	O RING	4	
KIT	K80-MT	LIQUID END		
KIT	K80-AM-DP-HD	AIR MOTOR		

Torque Requirements:



Tightening torque for center rod and out chambers.

Center Rod 36 ft-lbf {60 N-m}  
Out Chambers 26 ft-lbf {40 N-m}

Tightening torque for manifold retainer bolts.  
BPT-HD 15 ft-lbf {20 N-m}

General Tools:

- Socket wrench - 13mm, 17mm, 19mm
- Hexagonal box wrench - 5mm, 6mm
- Open-end wrenches - 17mm
- Phillips head screw driver

Special Tools:

- Socket (804129) for a guide to remove the throat bearing (sold separately)
- PP Wrench (771868) for removing center disk (sold separately)

Miscellaneous:

- Assembly Oil - Turbine oil none additional class 1 (equivalent to ISO VG32 grade)
- Nuts - M16 x 1.5
- Thread locker
- Urea grease grade (NLGI) No. 2, Shell Alvania Grease S1

Customer Notes

Model #: \_\_\_\_\_  
Description: \_\_\_\_\_  
Serial #: \_\_\_\_\_  
Date Installed: \_\_\_\_\_  
Department Location: \_\_\_\_\_  
Tag/Project: \_\_\_\_\_